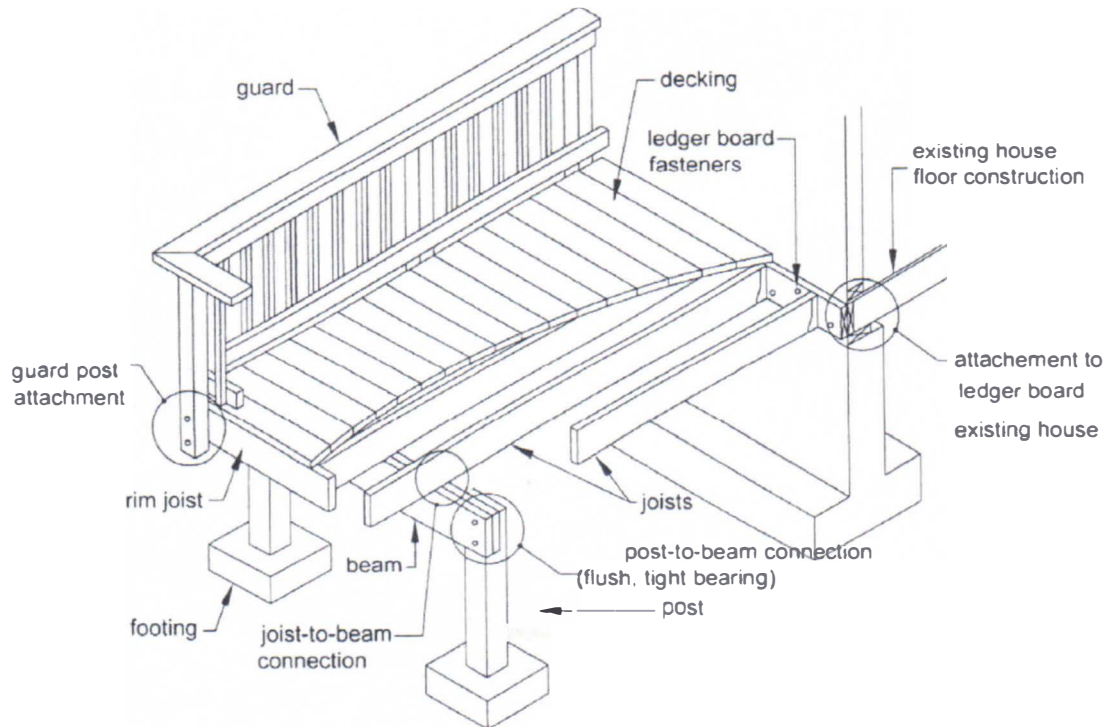


All blank spaces shall be completed prior to the issuance of building permit

**Town of Hermon  
Residential Deck Worksheet  
Please fill out prior to submitting your application**



Please refer to the Deck Construction Guide published by the American Forest and Paper Association

Deck # \_\_\_\_\_

Height of Deck (From Grade) (Inches)

**Each Deck/Section  
Requires a Separate Worksheet**

1. Joist Size (2x8 min.) 2 x

Spacing of Floor Joists (Check one):  16" On-Center  
 24" On-Center  
 Other

Actual Joist Span

Longest Span From Ledger to Beam or Beam to Beam

**NOTE: MAXIMUM JOIST SPANS (southern pine)**

	SIZE	12"oc	16"oc	24"oc
	2X8	10'6"	10'6"	10'2"
<b>Joist Cantilevers shall have a 4:1 Backspan</b>	2X10	15'2"	15'2"	13'1"
	2X12	18'0"	18'0"	15'5"

2. Beam Size (Double)(Triple) 2" X   
Beam Span (Longest Span from post to post)

**NOTE: MAXIMUM BEAM SPANS (southern pine)  
JOIST SPANS (ft) LESS THAN OR EQUAL TO:**

SIZE	6'	8'	10'	12'	14'	16'	18'
2-2X6	7'1"	6'2"	5'6"	5'0"	4'8"	4'4"	4'1"
2-2X8	9'2"	7'11"	7'1"	6'6"	6'0"	5'7"	5'3"
2-2X10	11'10"	10'3"	9'2"	8'5"	7'9"	7'3"	6'10"
2-2X12	13'11"	12'0"	10'9"	9'10"	9'1"	8'6"	8'0"
3-2X6	8'7"	7'8"	6'11"	6'3"	5'10"	5'5"	5'2"
3-2X8	11'4"	9'11"	8'11"	8'1"	7'6"	7'0"	6'7"
3-2X10	14'5"	12'10"	11'6"	10'6"	9'9"	9'1"	8'7"
3-2X12	17'5"	15'1"	13'6"	12'4"	11'5"	10'8"	10'1"

**Beam Cantilevers shall have a 4:1 Backspan**

3.  4 x 4 Posts (5' max. deck height)  6 x 6 Posts (14' max. deck height)  4 x 6 Posts (5' max. deck height)

Beams shall bear on posts: Notched or Post cap connectors.  Other \_\_\_\_\_  
Beams shall **not** rely on through bolts only for support.

4.  Deck will be attached to house/structure  Deck will NOT be attached to house/structure

Size of Ledger Board: 2 x

Lag Screw Size:  Lag Screw Spacing:  On-center

If deck will be attached to house, Footers must extend a minimum of 42" below grade.

Decks shall **NOT** be attached to **Veneers, Overhangs, or Bay Windows**

5.  5/4 P.T. Decking Board  2 x 6 P.T. Decking Board  Composite Decking (all types)

6. Deck Guardrail Height: (Min. of 36" for walking surfaces 30" or more above the adjacent grade/surface)

Stair Guardrail Height: (Min. of 34" on open sides of stairs with total rise of 30" or more) Measurement from tread nosing.

7. Stairway Width (36" minimum)  Stairway Tread Depth (9 3/4" min.)  Stairway Riser Height (8 1/4" Max.)

\* Required graspable handrail height (34" to 38" from tread nosing)

*\*Graspable handrails required on stairs with four or more total risers. (34" to 38" from tread nosing)  
Closed risers required on stairs with a total rise of 30" or more.*